



ICND2153

(16-Channel PWM Constant Current LED Sink Driver)

Description

The ICND2153 is a 16-channel PWM constant current sink LED driver for 1:32 time multiplexing applications. The constant-current value of all 16 channels is set by a single external resistor.

ICND2153 converts serial input data into the gray scale of each pixel by a 16-bit shift register. ICND2153 detects individual LED open errors without extra components. ICND2153 also integrated pre-charge circuit for ghosting reduction.

The ICND2153 exploits precise current regulation technology, with both channel-to-channel error and chip-to-chip error less than $\pm 2.0\%$.

Features

- ✧ 16 constant-current output channels
- ✧ Support time-multiplexing for 1~32 scans
- ✧ Output current setting range:
0.5~25mA \times 16@ $V_{DD}=5V$ constant current output
0.5~18mA \times 16@ $V_{DD}=4.2V$ constant current output
0.5~10mA \times 16@ $V_{DD}=3.3V$ constant current output
- ✧ Current accuracy
Between channel : $< \pm 2.0\%$ (Max.)
Between ICs : $< \pm 2.0\%$ (Max.)
- ✧ 8 bit current gain: 12.5%~200%
- ✧ Fast response of output current:
 \overline{OE} (min): 20ns@ $V_{DD}=5V$
- ✧ Data transfer frequency: $f_{MAX}=25MHz$ (Max)
- ✧ Power supply voltage: $V_{DD}=3.3\sim 5V$
- ✧ Operating Temperature: $-40^{\circ}C$ to $+85^{\circ}C$
- ✧ Output current equation
$$I_{out} = \frac{9.23}{R_{EXT}}$$
- ✧ Pre-charge for ghosting reduction
- ✧ LED open detection
- ✧ Enhanced Circuit for Caterpillar Cancelling
- ✧ Low-gray scale enhancement
- ✧ Integrating LED protection circuit

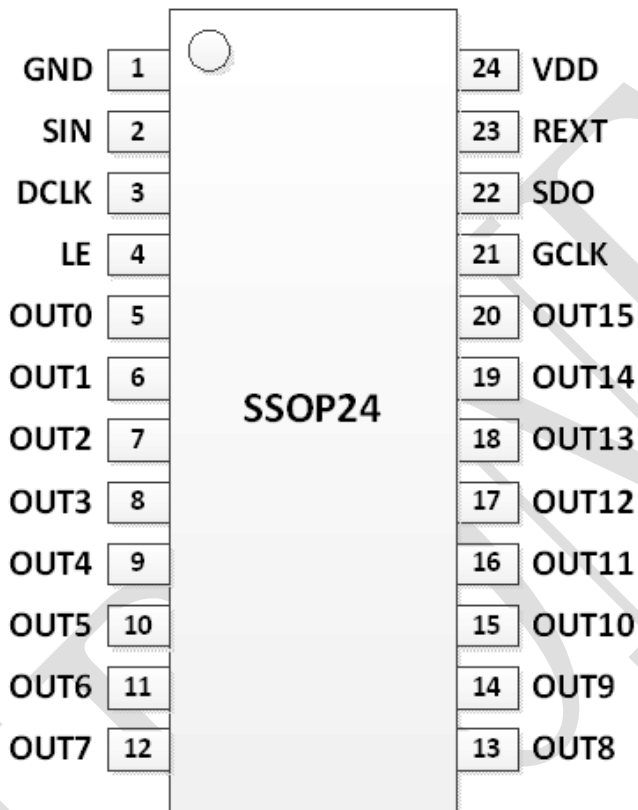
Package



ICND2153

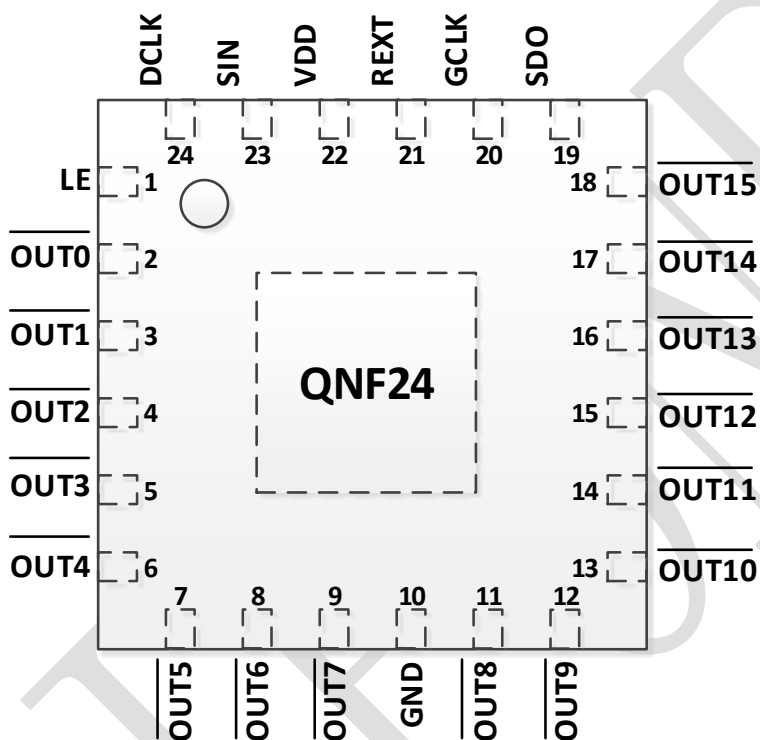
Pin Configuration

1 AP:SSOP24-P-150-0. 635



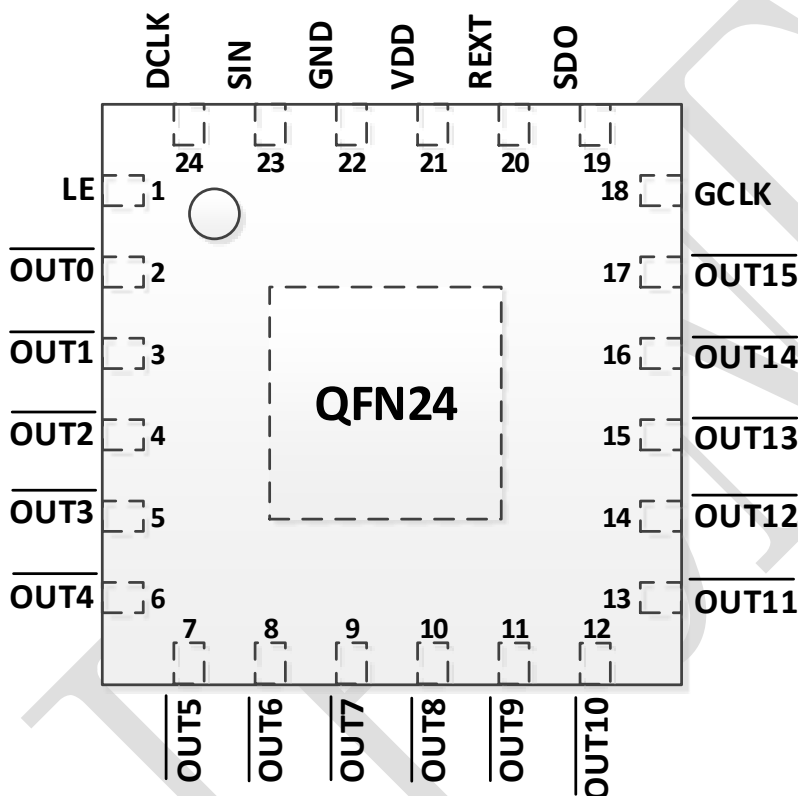
ICND2153(SSOP24)		
Pin No.	Pin Name	Function
1	GND	Power Ground
2	SIN	Serial data input
3	DCLK	Clock input terminal for data shift and command information
4	LE	Data transfer command input
5~20	OUT0 ~ OUT15	Constant current output
21	GCLK	The reference clock input pin for PWM gray scale control
22	SDO	Serial data output
23	REXT	Constant-current value setting .Connection to an external resistor to GND
24	VDD	Power-supply voltage

2 AN-02: QFN24-4*4-0.5



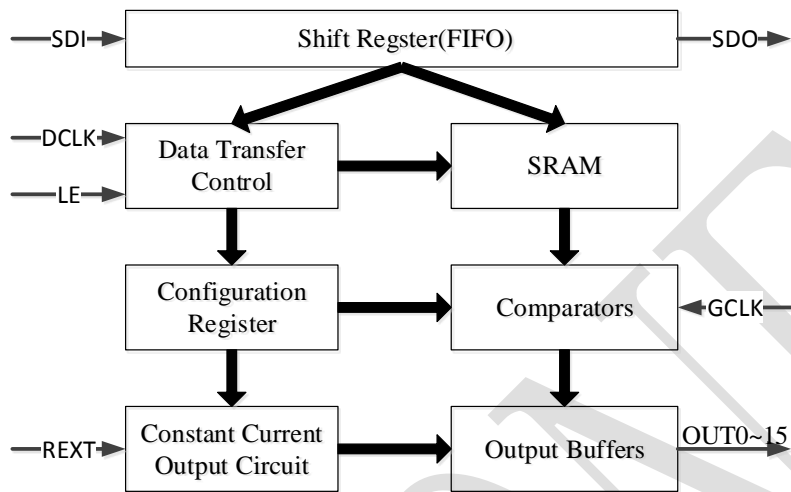
ICND2153AN-02(QFN24)		
Pin No.	Pin Name	Function
1	LE	Data transfer command input
2~9,11~18	OUT0 ~ OUT15	Constant current output
10	GND	Power Ground
19	SDO	Serial data output
20	GCLK	The reference clock input pin for PWM gray scale control
21	REXT	Constant-current value setting .Connection to an external resistor to GND
22	VDD	Power-supply voltage
23	SIN	Serial data input
24	DCLK	Clock input terminal for data shift and command information

3 AN-01: QFN24-4*4-0.5



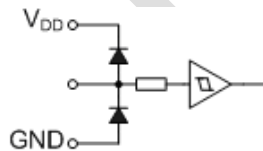
ICND2153AN-01(QFN24)		
Pin No.	Pin Name	Function
1	LE	Data transfer command input
2~17	OUT0 ~ OUT15	Constant current output
18	GCLK	The reference clock input pin for PWM gray scale control
19	SDO	Serial data output
20	REXT	Constant-current value setting .Connection to an external resistor to GND
21	VDD	Power-supply voltage
22	GND	Power Ground
23	SIN	Serial data input
24	DCLK	Clock input terminal for data shift and command information

ICND2153 Block Diagram

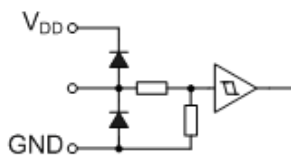


I/O Equivalent Circuits

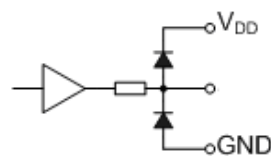
1. GCLK, SDI, LE



2. DCLK



3. SDO



Maximum Rating (Ta=25°C)

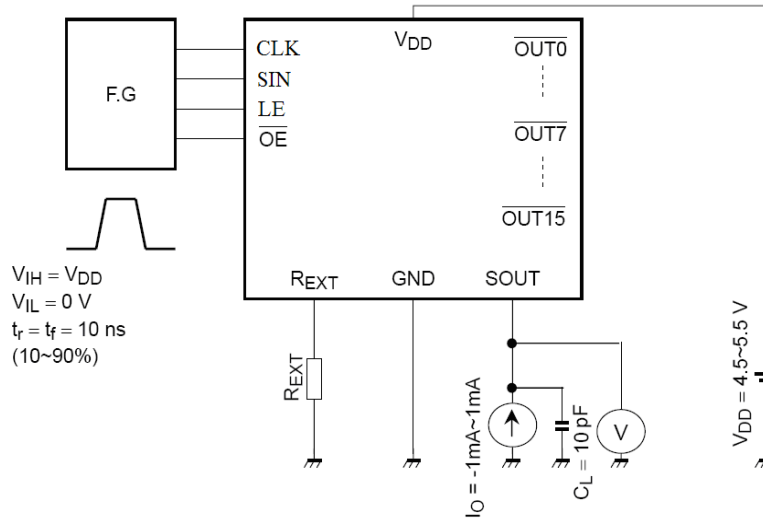
Characteristics		Symbol	Rating	Unit
Supply Voltage		V _{DD}	0~6.0	V
Output Current		I _O	25	mA
Input Voltage		V _{IN}	-0.4~V _{DD} +0.4	V
Output voltage		V _{OUT}	10V	
Clock Frequency		F _{CLK}	25	MHz
GND Terminal Current		I _{GND}	+500	mA
Power Dissipation (On PCB, 25°C)	DN-type	P _D	3.19	W
Thermal Resistance	DN-type	R _{th(j-a)}	39.15	°C/W
Operating Temperature		T _{opr}	-40 ~ 85	°C
Storage Temperature		T _{stg}	-55 ~ 150	°C

Electrical Characteristics (Unless otherwise specified, V_{DD}=4.5~5.5V, T_a=25°C)

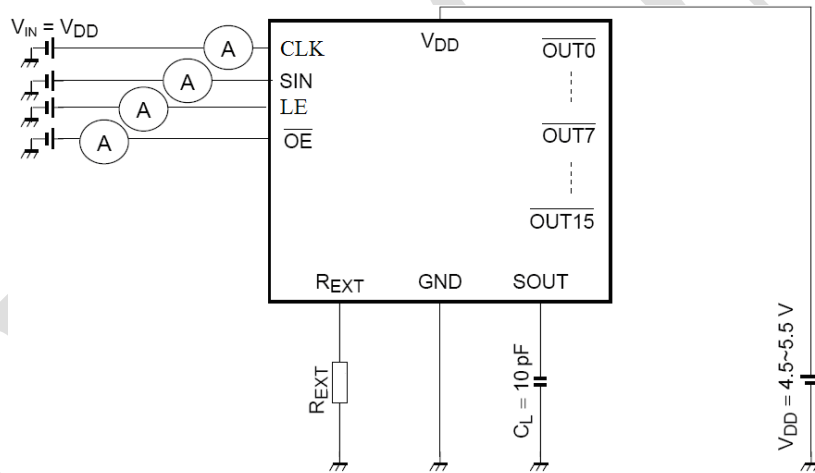
Characteristics	Symbol	Test circuit	Test Conditions	Min	Typ	Max	Unit
High level logic output voltage	V _{OH}	1	I _{OH} =-1mA, SDO	V _{DD} -0.4	-	V _{DD}	V
Low level logic output voltage	V _{OL}	1	I _{OH} =+1mA, SDO	-	-	0.4	V
High level logic input voltage	V _{IH}		0.7*V _{DD}	-	V _{DD}	V	
Low level logic input voltage	V _{IL}	3	GND	-	0.3*V _{DD}	V	
High level logic input current	I _{IH}	2	V _{IN} =V _{DD} , SDI,CLK,LE,GCLK	-	-	1	μA
Low level logic input current	I _{IL}	1	V _{IN} =GND SDI,CLK,LE,GCLK	-1	-	-	μA
Power supply current	I _{DD1}	4	R _{ext} =Open, Out off	-	4.3		mA
	I _{DD2}	4	R _{ext} =10KΩ, Out off	-	4.8		mA
Constant current error	ΔI _O	5	0.5mA~25mA	-	±1.0	±2.0	%
Constant current power supply voltage regulation	%V _{DD}	5	V _{DD} =4.5~5.5V, , R _{EXT} =3kΩ, OUT0 ~ OUT15	-	±0.1	-	%/V
Constant current output voltage regulation	%V _{OUT}	5	V _O =0.6~3.0V, R _{EXT} =3kΩ, OUT0 ~ OUT15	-	±0.1		%/V
Pull-down resistor	R _{DOWN}	2	DCLK	100	200	400	kΩ

Test Circuit

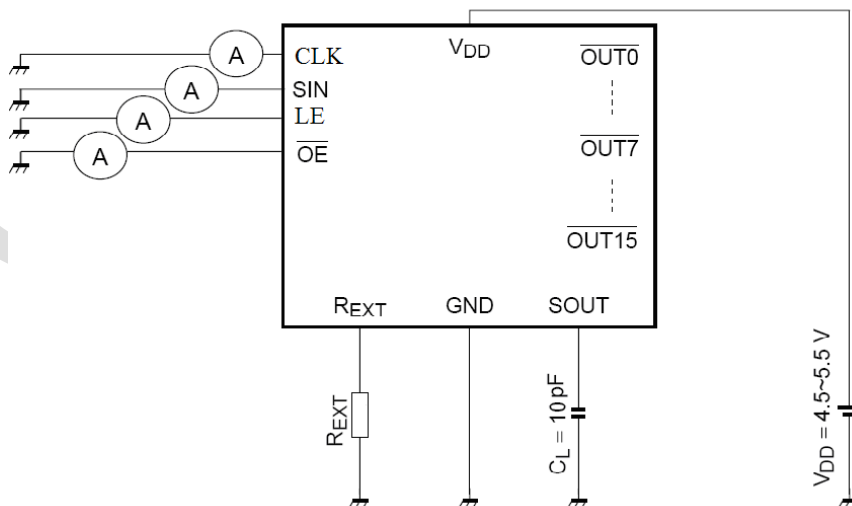
Test Circuit1: High level logic input voltage/Low level logic input voltage



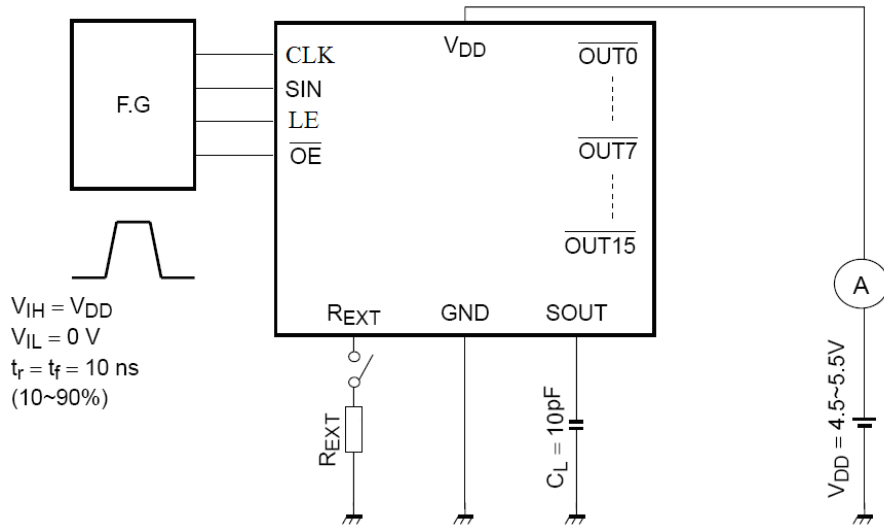
Test Circuit2: High level logic input current/Pull-down resistor



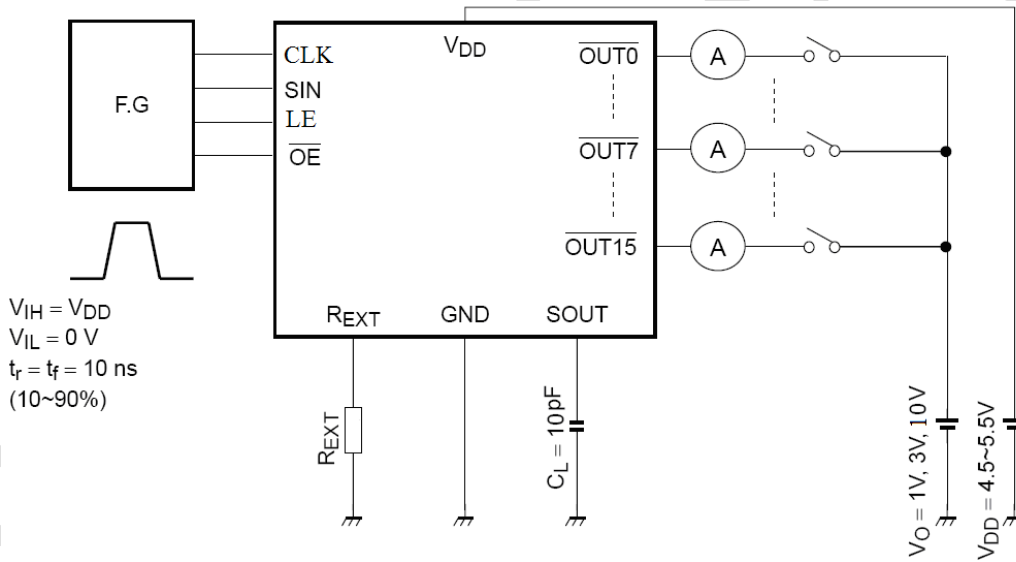
Test Circuit3: Low level logic input current/Pull-up resistor



Test Circuit4: Power supply current



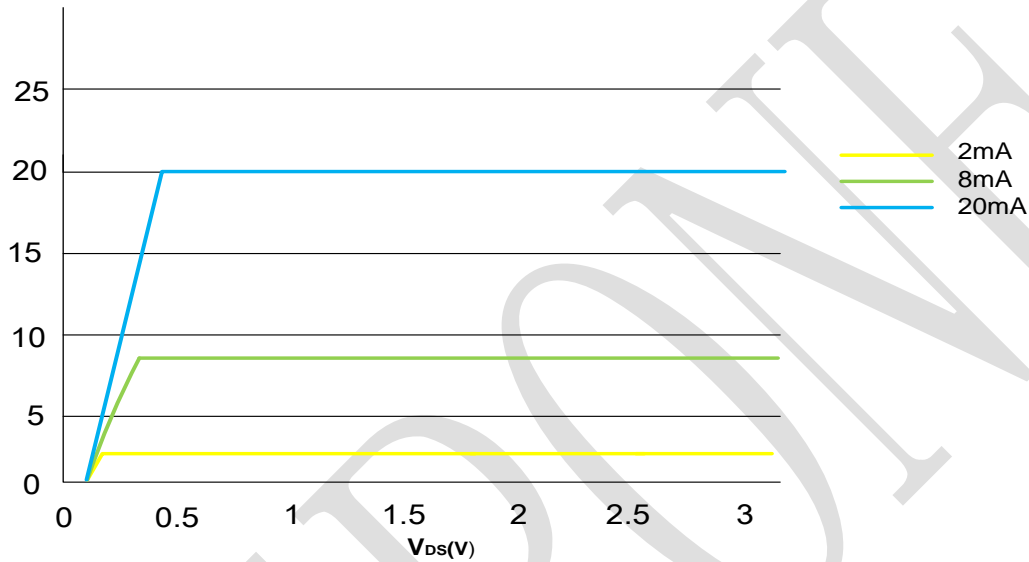
**Test Circuit5: Constant current output/Output OFF leak current/Constant current error
Constant current power supply voltage regulation/Constant current output voltage regulation**



Application Information

ICND2153 exploits precise current regulation technology, providing small channel-to-channel and IC-to-IC current variations.

- 1) The maximum current variation between channels is less than $\pm 2.0\%$, and that between ICs $< \pm 2.0\%$.
- 2) The current characteristic of output stage is flat. The output current can be kept constant regardless of the variations of LED forward voltage.



Setting Output Current

The output current (I_{out}) of ICND2153 is set by an external resistor, R_{ext}. The relationship between I_{out} and R_{ext} is :

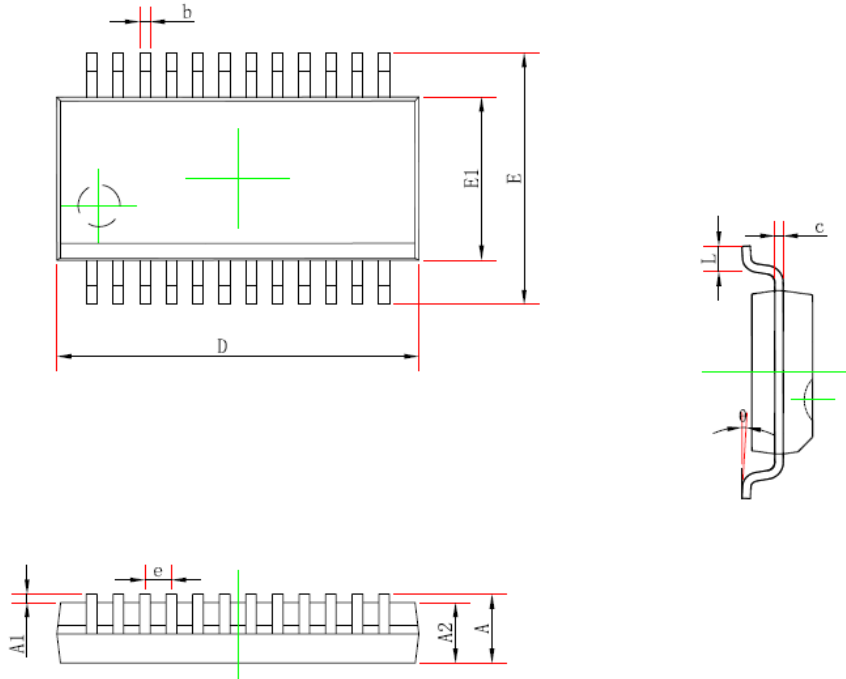
$$V_{R-EXT} = 1.232V;$$

$$I_{out} = (V_{R-EXT} / R_{ext}) * 7.5$$

Package Outline

SSOP24-P-150-0. 635

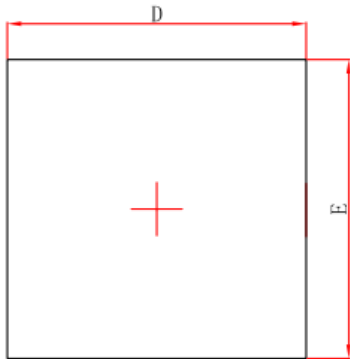
SSOP24 (150mil) PACKAGE OUTLINE DIMENSIONS



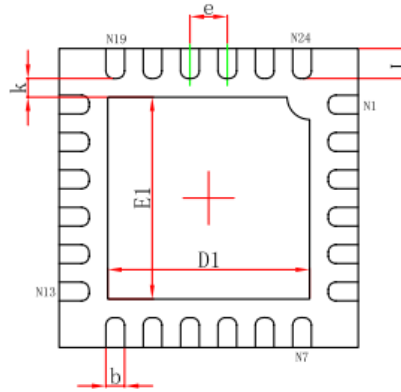
Symbol	Dimensions In Millimeters		Dimensions In Inches	
	Min	Max	Min	Max
A	—	1.750	—	0.069
A1	0.100	0.250	0.004	0.010
A2	1.250	—	0.049	—
b	0.203	0.305	0.008	0.012
c	0.102	0.254	0.004	0.010
D	8.450	8.850	0.333	0.348
E1	3.800	4.000	0.150	0.157
E	5.800	6.200	0.228	0.244
e	0.635 (BSC)		0.025 (BSC)	
L	0.400	1.270	0.016	0.050
θ	0°	8°	0°	8°

(2) QFN24-4*4-0.5

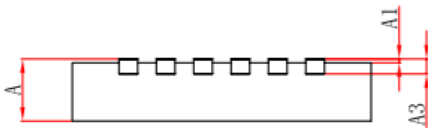
QFNWB4×4-24L (P0.50T0.75/0.85) PACKAGE OUTLINE DIMENSIONS



Top View



Bottom View



Side View

Symbol	Dimensions In Millimeters		Dimensions In Inches	
	Min.	Max.	Min.	Max.
A	0.700/0.800	0.800/0.900	0.028/0.031	0.031/0.035
A1	0.000	0.050	0.000	0.002
A3	0.203REF.		0.008REF.	
D	3.924	4.076	0.154	0.160
E	3.924	4.076	0.154	0.160
D1	2.600	2.800	0.102	0.110
E1	2.600	2.800	0.102	0.110
k	0.200MIN.		0.008MIN.	
b	0.200	0.300	0.008	0.012
e	0.500TYP.		0.020TYP.	
L	0.324	0.476	0.013	0.019

Product Ordering Information

Product number	Package (Pb-Free)	Weight (mg)
ICND2153AP	SSOP24-0.635	130
ICND2153AN-01	QFN24-4*4-0.5	38
ICND2153AN-02	QFN24-4*4-0.5	38

Revision History

Rev	Date	Description
1.0	2018/08	Initial Release
1.1	2018/11	Add QFN Package
1.2	2019/01	Add LED forward voltage

Important information

Chipone Technology (Beijing) Co., Ltd. (Chipone) reserves the right to make changes to their products or to discontinue any product or service without notice, and advise customers to obtain the latest version of relevant information to verify, before placing orders, that information being relied on is current and complete. All products are sold subject to the terms and conditions of sale supplied at the time of order acknowledgement, including those pertaining to warranty, patent infringement, and limitation of liability.

Chipone warrants performance of its semiconductor products to the specifications applicable at the time of sale in accordance with Chipone's standard warranty. Testing and other quality control techniques are utilized to the extent Chipone deems necessary to support this warranty. Specific testing of all parameters of each device is not necessarily performed, except those mandated by government requirements.

CERTAIN APPLICATIONS USING SEMICONDUCTOR PRODUCTS MAY INVOLVE POTENTIAL RISKS OF DEATH, PERSONAL INJURY, OR SEVERE PROPERTY OR ENVIRONMENTAL DAMAGE ("CRITICAL APPLICATIONS"). CHIPONE SEMICONDUCTOR PRODUCTS ARE NOT DESIGNED, AUTHORIZED, OR WARRANTED TO BE SUITABLE FOR USE IN LIFE-SUPPORT DEVICES OR SYSTEMS OR OTHER CRITICAL APPLICATIONS. INCLUSION OF CHIPONE PRODUCTS IN SUCH APPLICATIONS IS UNDERSTOOD TO BE FULLY AT THE CUSTOMER'S RISK.

In order to minimize risks associated with the customer's applications, adequate design and operating safeguards must be provided by the customer to minimize inherent or procedural hazards.

Chipone assumes no liability for applications assistance or customer product design. Chipone does not warrant or represent that any license, either express or implied, is granted under any patent right, copyright, mask work right, or other intellectual property right of Chipone covering or relating to any combination, machine, or process in which such semiconductor products or services might be or are used. Chipone's publication of information regarding any third party's products or services does not constitute Chipone's approval, warranty or endorsement thereof.

Copyright ©2015, Chipone Technology (Beijing) Co., Ltd.